

CASE STUDY

BRITEK MOTORSPORT



The young and dynamic team at Britek Motorsport have been competing in the V8 Supercar Championship Series since 2005.

Now entering its third year in the V8 Supercar Championship Series, Britek Motorsport recognised the need to address a chronic shortage of space.

Team manager, Adam Laws, engaged Bosco Storage Solutions to consult and design an ideal workspace storage solution for the team transporter and workshop areas.

The custom designed fit out incorporates Boscotek™ High Density storage cabinets utilising a wide range of genuine Boscotek™ drawer accessories to ensure maximum usage of space.

Heavily compartmentalised drawers are used to store parts, tools and components safely and securely. This system provides a place for everything and maintains excellent accessibility for team mechanics and other members so as to ensure optimum efficiency.

Team owner and driver of the #25 Fujitsu Racing Falcon Jason Bright is delighted with the outcome “Bosco Storage Solutions have been outstanding in understanding our requirements and providing us with the Boscotek™ range”

“Many people just see what happens on the track, but preparation is the key to success. Having all our equipment in an organised storage system that proves function and safety is clearly important.

“The V8 Supercar environment provides plenty of challenges but with Bosco Storage Solutions we are already in front.”

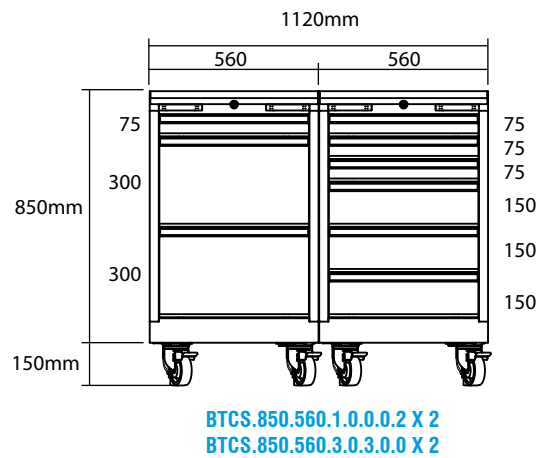
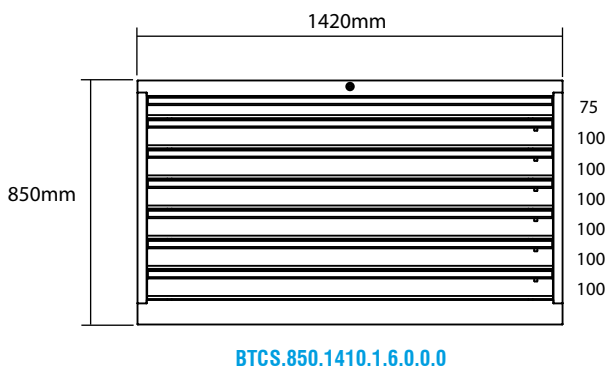
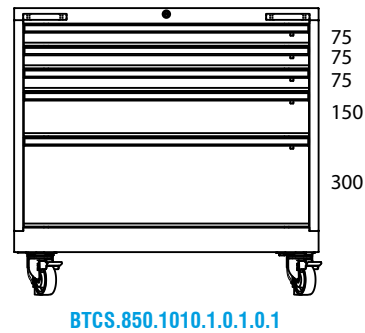
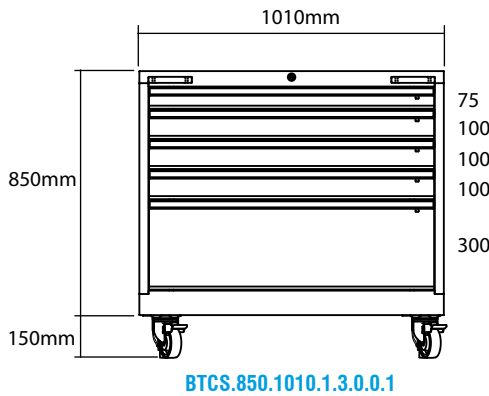
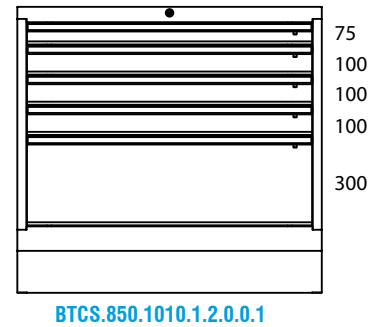
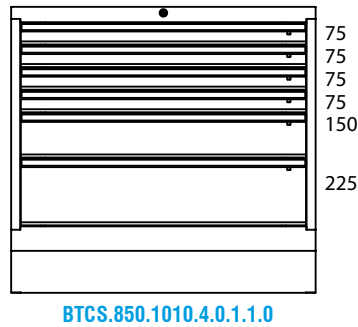
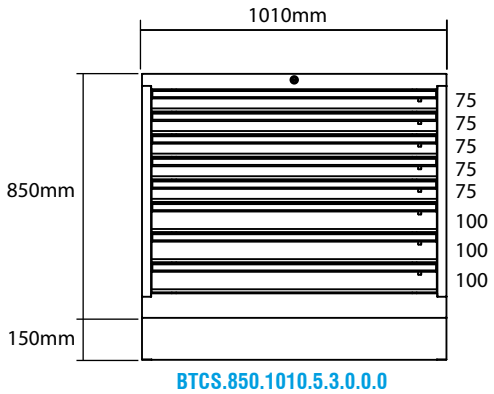


Pre-Installation concept illustration

INSTALLATION DETAILS

BRITEK MOTORSPORT

All Cabinets supplied with 33mm Stainless Steel tops in BOSCOTEK Dark Grey Finish



INSTALLATION DETAILS
BRITEK MOTORSPORT

